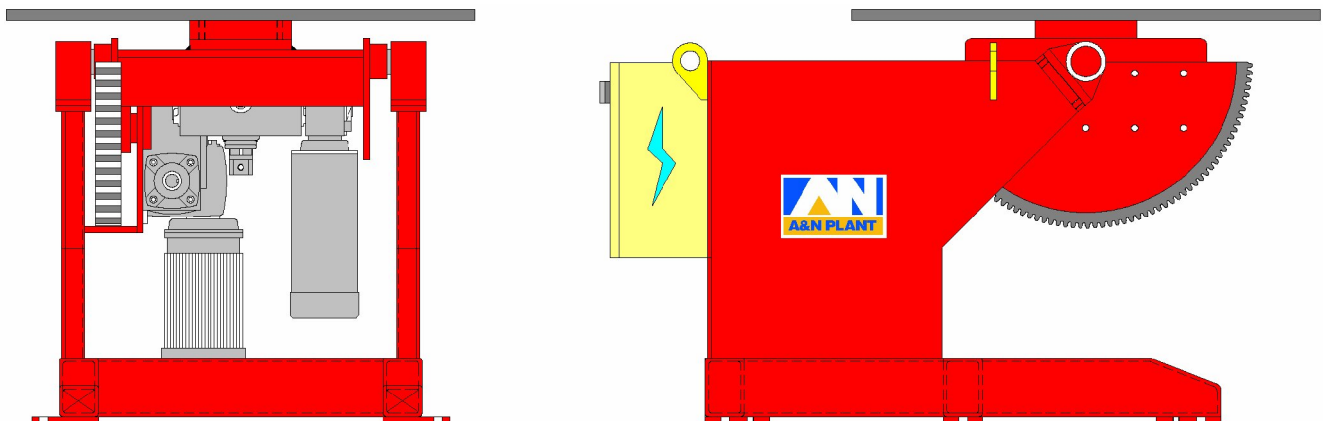




Specification Data
Positioners
Capacity : 1 Tonne
Fixed Height
Model: RP1T

A&N Positioner Model RP1T Series : 1 Ton capacity designed to give maximum positioning benefit by using tilt and rotation of the table for the work piece. The table is machined with four radial slots for anchor bolts and centric marking on the surface table, a set of tapered bearing mounted below the table to give a smooth and constant turning during operation. Powered driven by AC motor controlled by AC inverter system. A variable speed controlled by a standard control pendant with low voltage push button and potentiometer with a 6-metre control cable built in. Tilt movement is electrically powered driven by 0.75 KW AC motor with Dynamic Braking through reducer gearbox. Built in with 1000amps rotary clamp to ensure good earthing to the welding power source.

There are various table diameters available at 900mm, 1200mm and 1500mm or square table (Specify table diameter when ordering)



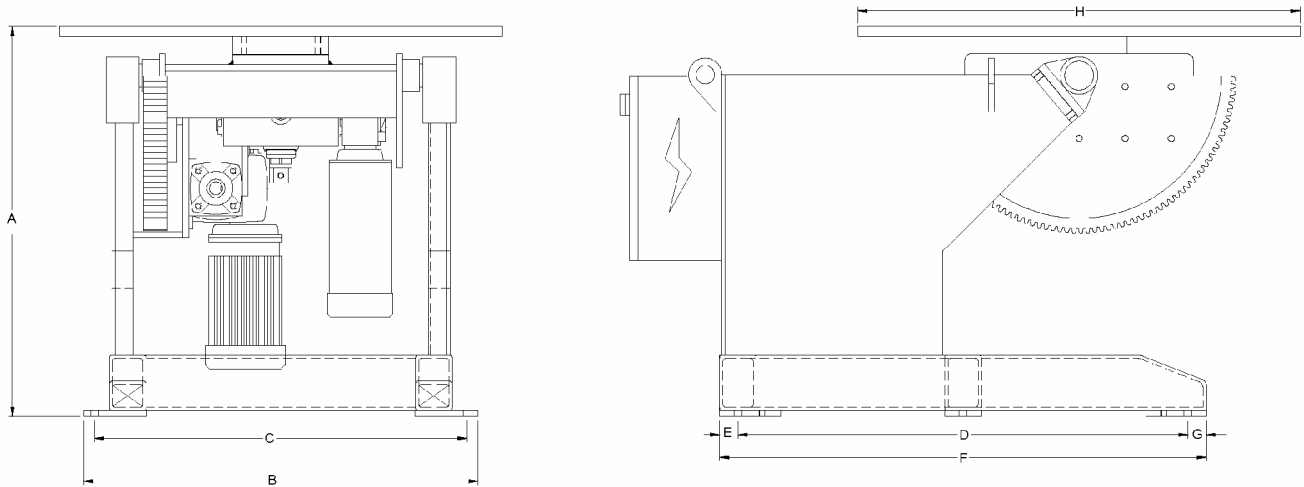
Specifications

Model:	RP1T- EA-D900
Pendant Control:	24VAC circuit, push button with 6metre cable
Input voltage:	400V/3phase/32amps/50Hz (Specify voltage requirement when ordering)
Turning Capacity:	1-metric ton at 300mm
Rotation Speed:	0.18 to 1.8 rpm
Tilting Capacity:	1-metric ton at 300mm
Tilt Range:	0 to 135 Degrees
Tilt Speed:	135 Degree in 47 second
Rotation Drive Motor:	0.75 KW motor
Rotation Drive Control:	0.75 KW AC inverter
Tilt Drive Motor:	0.75KW motor c/w brake
Estimate weight:	940kg

..... www.anplant.com

RP1T Series (1Tonne)

DIMENSIONS



DIMENSIONAL SPECIFICATIONS

MODEL:	RP1T- EA-D900			
A = Max Height	876			
B= Max Width	900			
C= Center hole distance (W)	840			
D= Center Hole distance (L)	1000			
E = Center Hole distance	50			
F = Max Length	1100			
G = Center Hole distance	50			
H = Table Diameter	900			

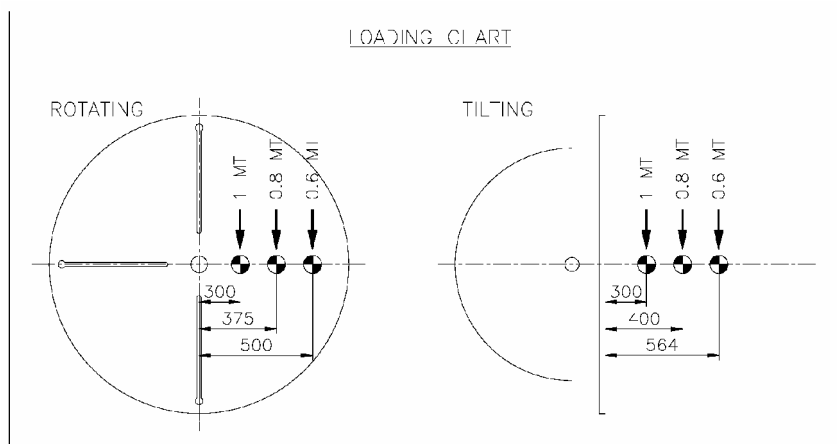
Note: Scope of cutting table, rail base support and civil works (By Others)

OPTIONS

Tachometer	<input type="checkbox"/>			
Foot Switch	<input type="checkbox"/>			
Encoder	<input type="checkbox"/>			
3 Jaw Chuck	<input type="checkbox"/>			
Traverse Torch	<input type="checkbox"/>			

Optional items are available and have to be factory install.

▲ Specify requirement ■ Optional □ Standard □ Specify quantity

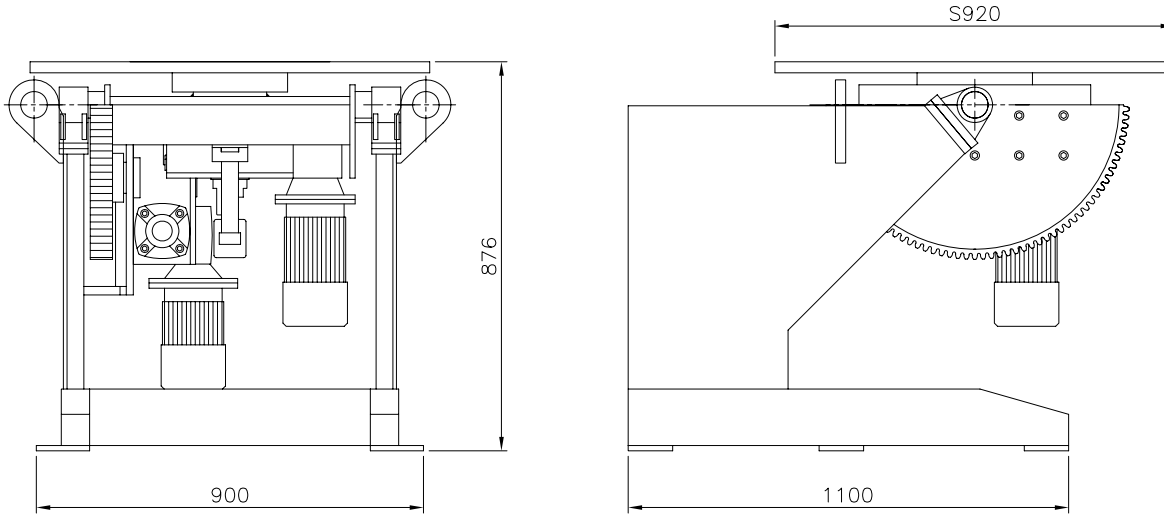


..... www.anplant.com

RP1T Series (1Tonne)

Specification for Positioner

1	Model	RP1T-XA-S920
2	Capacity (Turning)	1MT @300mm (Please refer to Load Chart)
3	Capacity (Tilting)	1MT @300mm (Please refer to Load Chart)
4	Electrical Panel	No
5	Rotation Speed	0.16~1.6rpm at 5~50Hz
6	Tilt Range	0~135 Degrees
7	Incoming Supply	415V-3P-50Hz
8	Control Voltage	N.A.
9	Rotation Drive Control	N.A.
10	Control Means	N.A.
11	Rotation Drive Motor	1 x 0.75kW c/w Force Cooling
12	Forced Cooling Fan Supply	230V-1P-50Hz
13	Tilt Speed	135Deg in 69sec
14	Tilt Drive Motor	1 x 0.75kW c/w Brake
15	Brake Supply	230V-1P-50HZ
16	Earthing	800A
17	Surface Preparation	Gritblast to SA2.5
18	Painting	2 coats Zinc Phosphate, 1 coat Polyurethane
19	Color	RAL 3003 Red
20	Qty	2 units



LOADING CHART

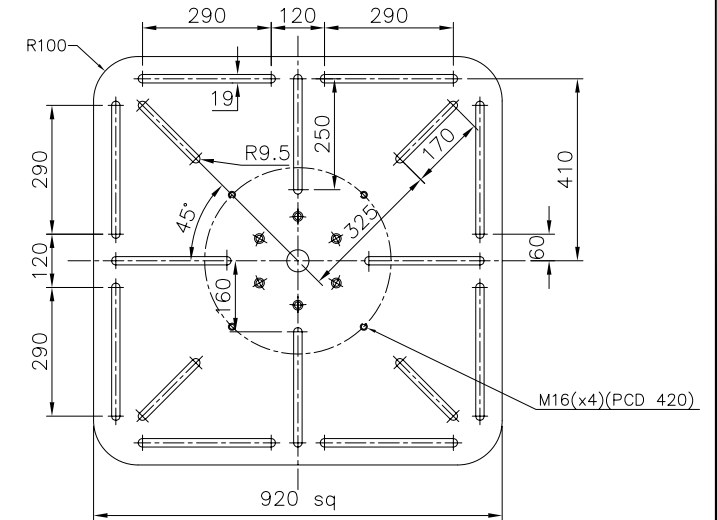
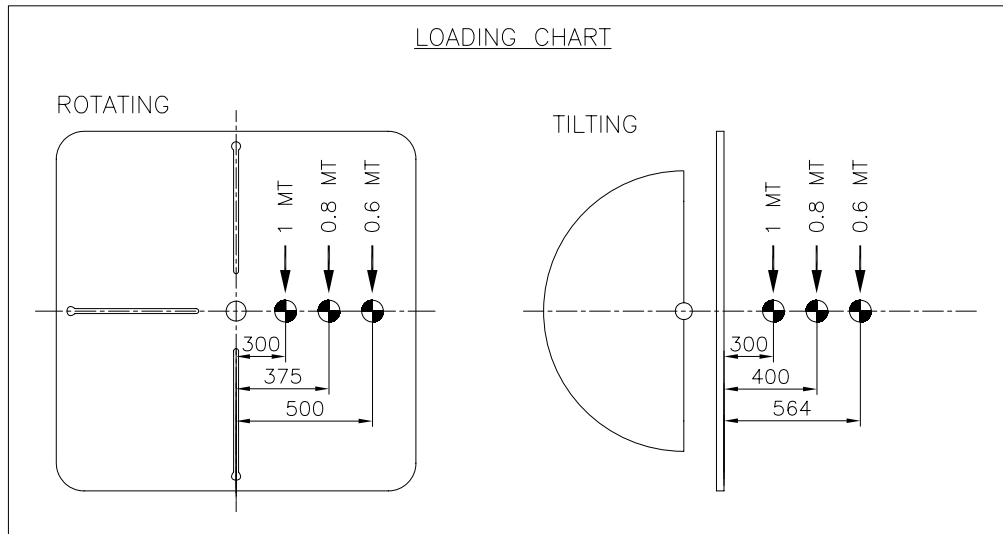


Table Top Detail

A&N PLANT <small>ROTATORS - COLUMN BOOMS - POSITIONERS</small>		PROJECT/MODEL : RP1T-XA-S920	
DRAWN Kris	DATE 23-10-06	CLIENT : A&N Plant	SCALE: N.T.S.
APPROVED		DWG. NAME : ROTATOR GENERAL ARRANGEMENT	REVISION: 1
		DWG. NO. : AN-3791-GA07	SHEET NO: 1 OF 1
THE ORIGINAL AND ALL COPIES OF THIS DRAWING TOGETHER WITH THE COPYRIGHT THEREOF ARE THE SOLE PROPERTY OF R.P.E. PTE. LTD. SINGAPORE			

ALL DIMENSIONS IN MM, UNLESS OTHERWISE SPECIFIED.

SIZE: A3