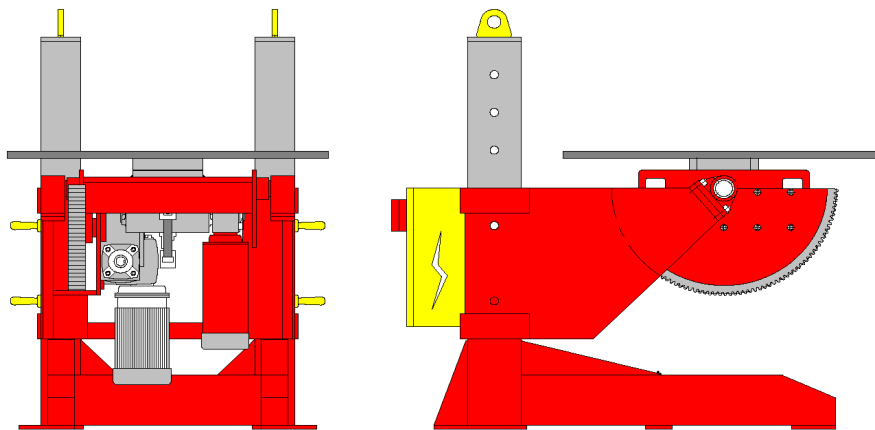




Specification Data
Positioners
Capacity : 1 Tonne
Adjustable Height
Model: RP1TS

A&N Positioner Model RP1TS Series is a 1 metric tonne capacity designed to give maximum positioning benefit by using tilt and rotation of the table for easy positioning of the workpiece. Two robust columns permits the operator to adjust the vertical height manually in increments of 150 mm per slot/pitch to give a minimum table height of 900mm up to a maximum table height of 1400mm. The table is machined with four radial slots for anchor bolts and centric marking on the table and is powered driven by AC motor controlled by the latest inverter control box fitted with remote pendant control to provide stop/start, forward/reverse, tilt and variable speed control. Tilt movement is electrically power driven by 0.75KW AC motor with Dynamic Braking through the reduction gearbox. Earth connections are made through a rotary earth clamp to ensure good earthing to the welding power source.



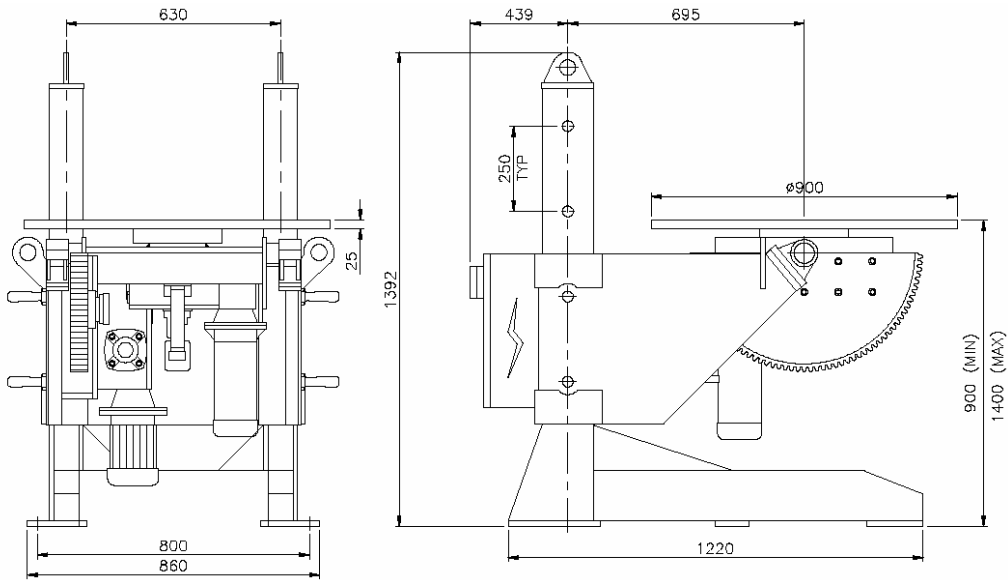
Specifications

Model:	RP1TS- EA-D900
Table Size:	Diameter of 900mm
Pendant Control:	24VAC circuit, push button with 6metre cable
Input voltage:	400V/3phase/16amps/50Hz (Specify voltage requirement when ordering)
Turning Capacity:	1 metric ton at 300mm (refer load chart)
Rotation Speed:	0.16 to 1.55rpm
Tilting Capacity:	1 metric ton at 300mm (refer load chart)
Tilt Range:	0 to 135 Degrees
Tilt Speed:	135 Degree at 47 seconds
Rotation Drive Motor:	0.75 KW motor
Rotation Drive Control:	1 x 0.75 KW AC inverter
Tilt Drive Motor:	0.75KW c/w brake
Estimate weight:	985Kgs

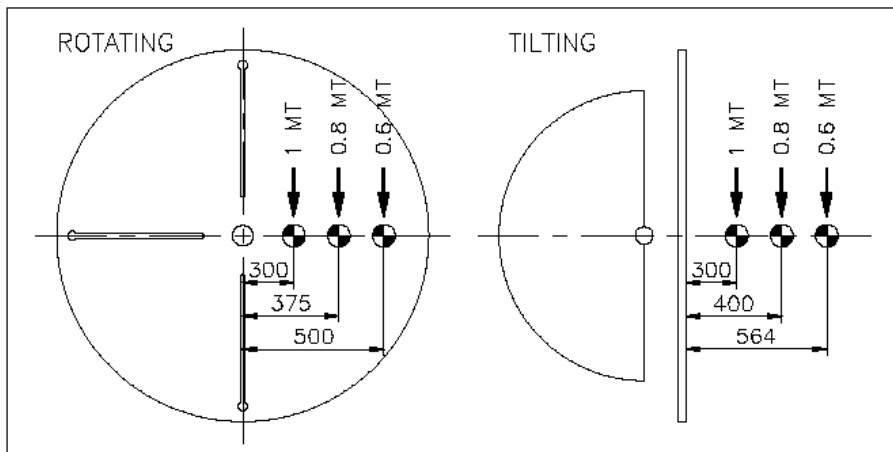
..... www.anplant.com

RP1TS Series (1 Tonne)

Dimensions



LOAD CHART



Optional Item

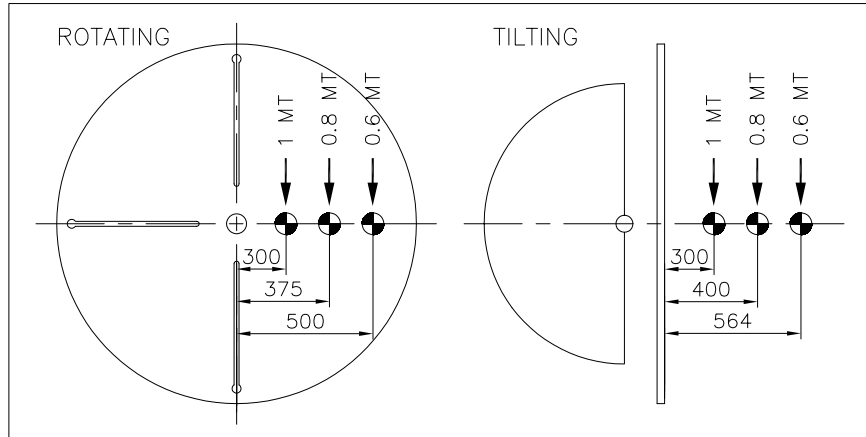
Following Optional items are available and have to be factory installed:-

- 3-Jaw Chuck
- Encoder
- Tachometer
- Foot Switch

..... www.anplant.com

RP1TS Series (1 Tonne)

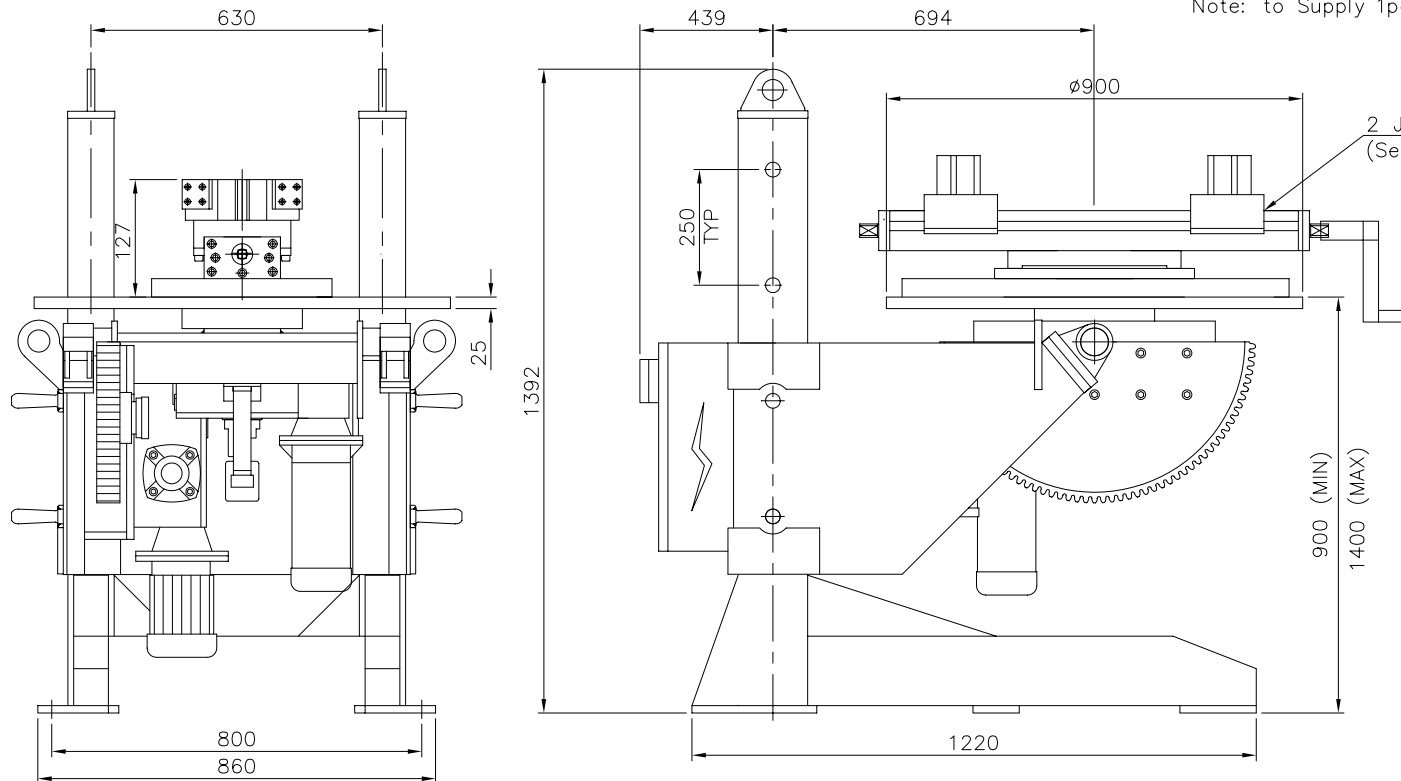
LOAD CHART



Specification for Positioner

1	Model	RP1TS-XA-D900-Z
2	Capacity (Turning)	1MT @300mm (Please refer to Loading Chart)
3	Capacity (Tilting)	1MT @300mm (Please refer to Loading Chart)
4	Electrical Panel	No
5	Rotation Speed	0.16-1.55rpm at 5-50Hz
6	Tilt Range	0-135 Degrees
7	Incoming Supply	N.A
8	Control Voltage	N.A
9	Rotation Drive Control	N.A
10	Control Means	N.A
11	Rotation Drive Motor	1 x 0.75Kw c/w Force Cooling
12	Tilt Speed	135 Degrees in 47 sec
13	Tilt Drive Motor	1 x 0.75Kw c/w Brake
14	Surface Preparation	Gritblast to SA2.5
15	Painting	2 coats Zinc Phosphate, 1 coat Polyurethane
16	Color	RAL 3003 Red
17	Qty	1 unit

Note: to Supply 1pc Foot Switch



ALL DIMENSIONS IN MM, UNLESS OTHERWISE SPECIFIED.

			PROJECT/MODEL : RP1TS-XA-D900-Z	
DRAWN : Kris			CLIENT : A&N	
APPROVED :			DWG. NAME : GENERAL ARRANGEMENT	
			DWG. NO. : PJ-3217-GA06	
			SCALE: N.T.S.	
			REVISION: 0	
			SHEET NO: 1 OF 1	

THE ORIGINAL AND ALL COPIES OF THIS DRAWING TOGETHER WITH THE COPYRIGHT THEREOF ARE THE SOLE PROPERTY OF R.P.E. PTE. LTD. SINGAPORE