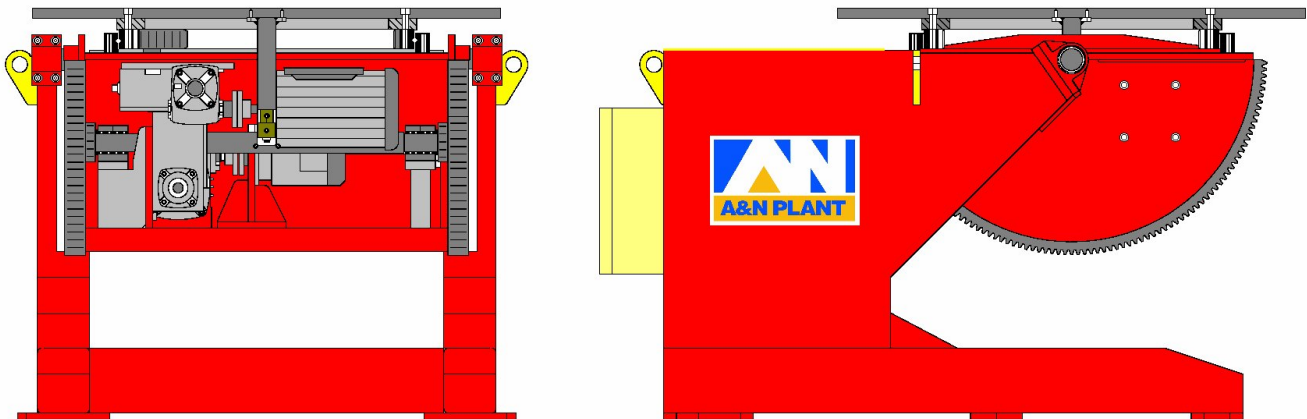




**Specification Data**  
**Positioners**  
**Capacity : 10 Tonnes**  
**Fixed Height**  
**Model: RP10T**

**A&N Positioner Model RP10T Series** is a 10-metric tons capacities designed to give maximum positioning benefit by using tilt and rotation of the table for easy positioning of the workpiece. The table is machined with four radial slots for anchor bolts and centric marking on the surface table, a high precision slewing ring is mounted below the table to give a smooth and constant rotation during operation. Power driven by AC motor controlled by AC inverter control box. A variable speed controlled by a standard control pendant with low voltage push button and potentiometer with a 6-metre control cable built in. Tilt movement is electrically powered driven by 4 KW AC motor with Dynamic Braking through reducer gearbox. Built in with 1000amps rotary clamp to ensure good earthing to the welding power source.

There are various table diameters available at 900mm, 1200mm and 1500mm or square table (Specify table diameter when ordering)



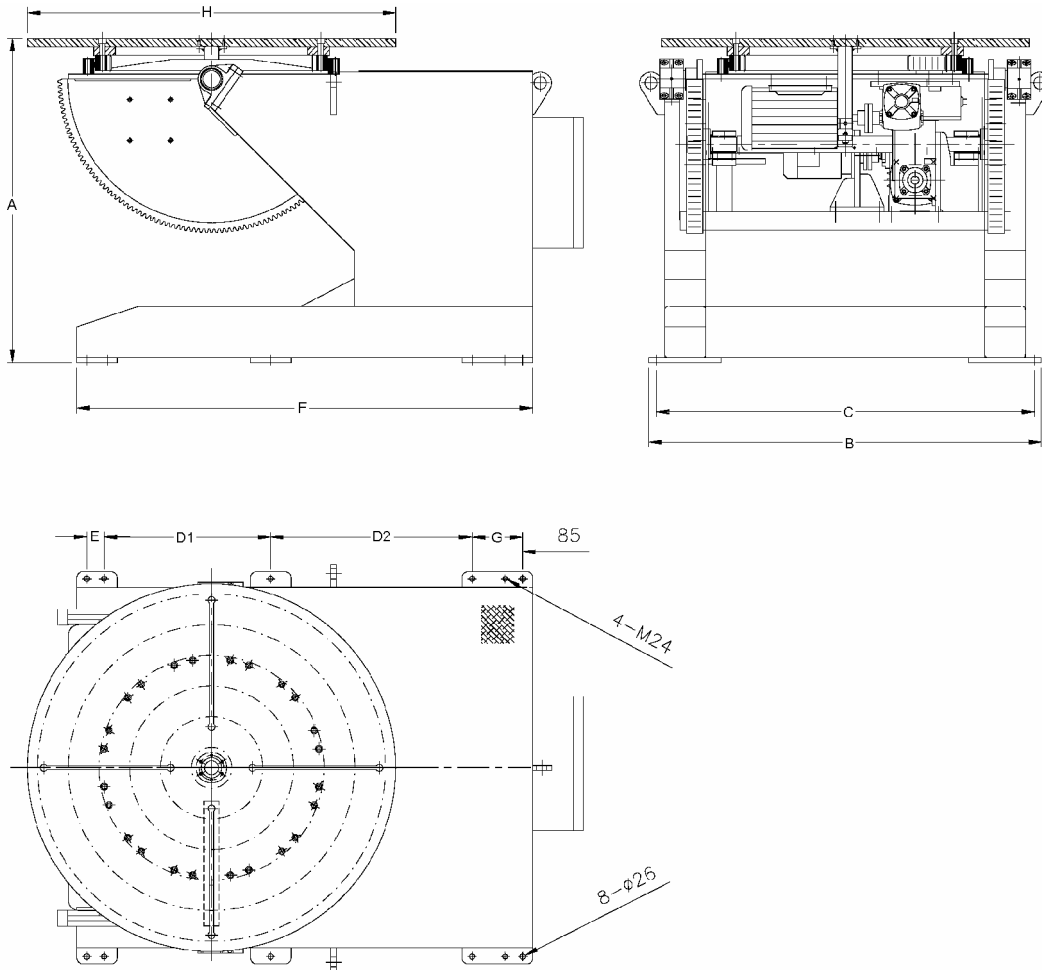
**Specifications**

Model:	RP10T- EA-D1500
Pendant Control:	24VAC circuit, push button with 6metre cable
Input voltage:	400V/3phase/32amps/50Hz (Specify voltage requirement when ordering)
Turning Capacity:	10-metric ton at 300mm
Rotation Speed:	0.08 to 0.8rpm
Tilting Capacity:	10-metric ton at 300mm
Tilt Range:	0 to 135 Degrees
Tilt Speed:	135 Degree at 1 min 50 second
Rotation Drive Motor:	4 KW motor
Rotation Drive Control:	4 KW AC inverter
Tilt Drive Motor:	4 KW c/w brake
Estimate weight:	5250Kgs

..... [www.anplant.com](http://www.anplant.com) .....

RP10T Series (10 Tonne)

## Dimensions



## DIMENSIONAL SPECIFICATIONS

MODEL:	RP10T-EA-D1500			
A = Max Height	1300			
B= Max Width	1920			
C= Center hole distance (W)	1850			
D= Center Hole distance (L)	(815 D1) (985 D2)			
E = Center Hole distance	85			
F = Max Length	2233			
G = Center Hole distance	248			
H = Table Diameter	1500			

Note: Scope of cutting table, rail base support and civil works (By Others)

## OPTIONS

Tachometer	■			
Foot Switch	■			
Encoder	■			
3 Jaw Chuck	■			
Traverse Torch	■			

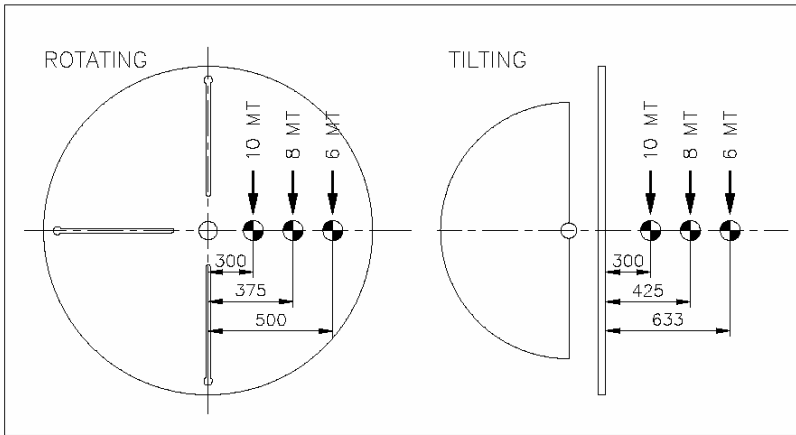
Optional items are available and have to be factory install.

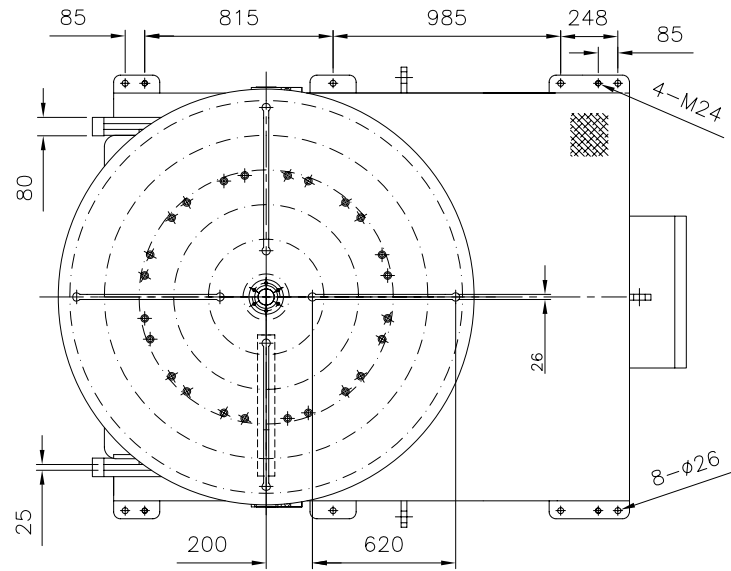
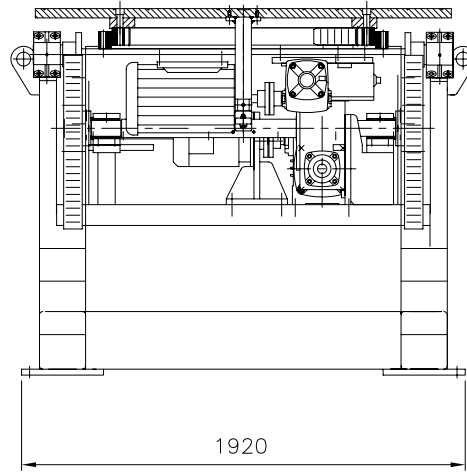
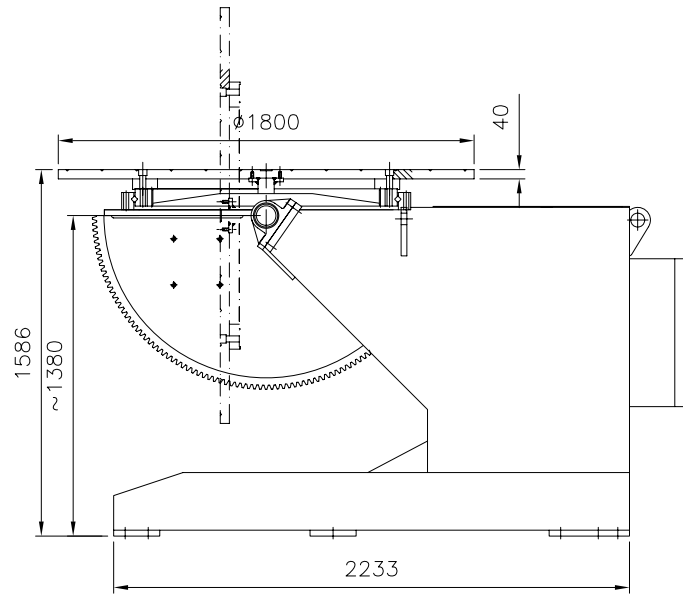
▲ Specify requirement      ■ Optional      □ Standard      □ Specify quantity

..... [www.anplant.com](http://www.anplant.com) .....

RP10T Series (10 Tonne)

Load Chart

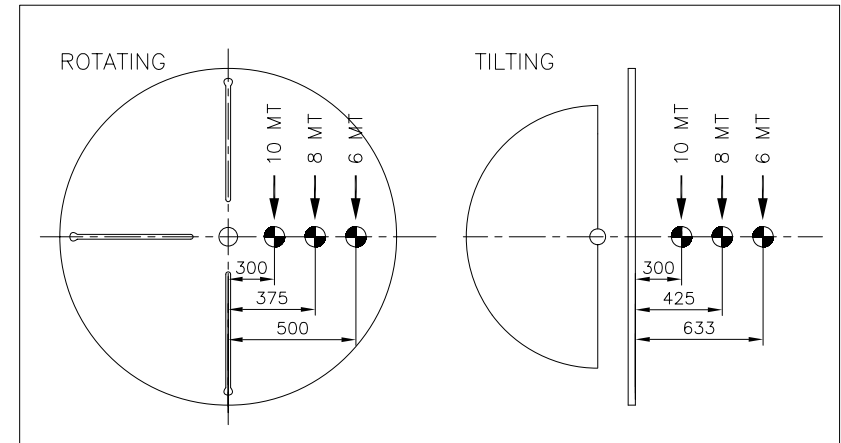





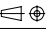
### Specification for Positioner

1	Model	RP10T-EA-D1800
2	Capacity (Turning)	10MT at 300mm
3	Capacity (Tilting)	10MT at 300mm
4	Tilt Range	0° to 135°
5	Vertical Adjustment	N.A.
6	Rotation Speed	0.048~0.48rpm (running at 5~50Hz)
7	Tilt Speed	135° in 177sec (running at 50Hz)
8	Electrical Panel	Yes
9	Power Supply	415V-3P-50Hz
10	Control Voltage	24VAC
11	Control Means	Via push button pendant c/w 10m cable
12	Rotation Drive Motor	1x 5.5kW c/w Force Cooling
13	Tilt Drive Motor	1x 4kW c/w Brake
14	Rotation Drive Control	AC 5.5kW Inverter
15	Earthing	1000A
16	Surface Preparation Painting	Gritblast to SA2.5 2 coats Zinc Phosphate, 1 coat Polyurethane
17		
18	Colour	RAL 5015 Blue
19	Qty	1 unit
20	Est. Weight	4530 KG

### Load Chart



NOTE: ALL DIMENSIONS IN MM, UNLESS OTHERWISE SPECIFIED.

 <b>A&amp;N PLANT</b> ROTATORS - COLUMN BEAMS - POSITIONERS			PROJECT/MODEL : RP10T-EA-D1800		
DRAWN Kris	NAME Kris	DATE 26-05-07	CLIENT : -	 SCALE: N.T.S REVISION: 0 SHEET NO: 1 OF 1	
APPROVED			DWG. NAME : Standard Drawing GENERAL ARRANGEMENT DWG. NO. : SD-RP10T-EA-D1800		
THE ORIGINAL AND ALL COPIES OF THIS DRAWING TOGETHER WITH THE COPYRIGHT THEREOF ARE THE SOLE PROPERTY OF R.P.E. PTE. LTD. SINGAPORE					